




Norcool Wine Cabinet - Cave 40 – Under-counter Wine Cabinet

The taste of wine deteriorates over time if the wine is kept at room temperature or is exposed to constant fluctuations in temperature, light/UV rays or vibration. With our wine cabinets you are guaranteed the best possible storage conditions for your wine.

- Perfect storage for all types of wine
- Capacity to hold as many as 40 bottles
- Oak shelves w/optional positions
- Interior LED lighting with door sensor
- Tinted glass door with UV filter
- Adjustable electronic thermostat
- No vibration
- Low noise levels
- Supplied as an integrated model
- Can stand on its own feet between two modules
- Easily integrated into all types of kitchen
- Requires 600 mm recess



Scandinavian Appliances AS

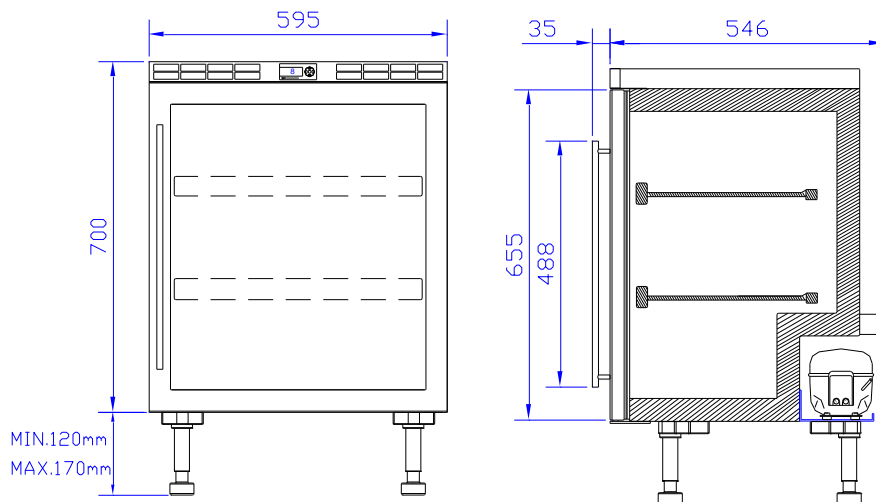
Order line: +47 95 41 81 54, fax: +47 69 11 17 01, e-mail: post@norcool.no

Scandinavian Appliances AS develops, manufactures and markets food and drink storage solutions under the brand name of Norcool. The company was established in 1973 and is currently a leading supplier of cold rooms, corner fridges, refrigeration drawers, wine cabinets and wine cellars.

norcool



Exterior dimensions	W 595 x H 820-870 x D 546 mm
Capacity	40 bottles
Ambient temperature	10 - 27 °C
Thermostat setting	8 – 15 °C
Output	84 W
Defrosting	Automatic
Net weight	43 kg
Coolant	R134A
Compressor	Danfoss
Voltage	220V~240V AC 50Hz
Air vent	126cm ²
Insulation	Polyurethane foam, CFC-free
Cable length	2,6m
Door hanging	Right or left – please specify when placing an order



Scandinavian Appliances AS

Order line: +47 95 41 81 54, fax: +47 69 11 17 01, e-mail: post@norcool.no

Scandinavian Appliances AS develops, manufactures and markets food and drink storage solutions under the brand name of Norcool. The company was established in 1973 and is currently a leading supplier of cold rooms, corner fridges, refrigeration drawers, wine cabinets and wine cellars.